

1

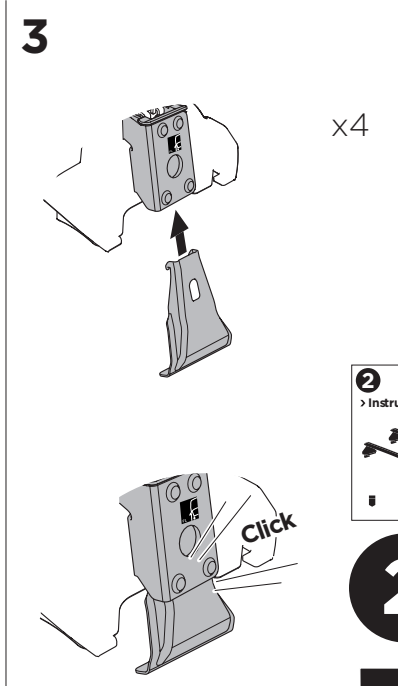
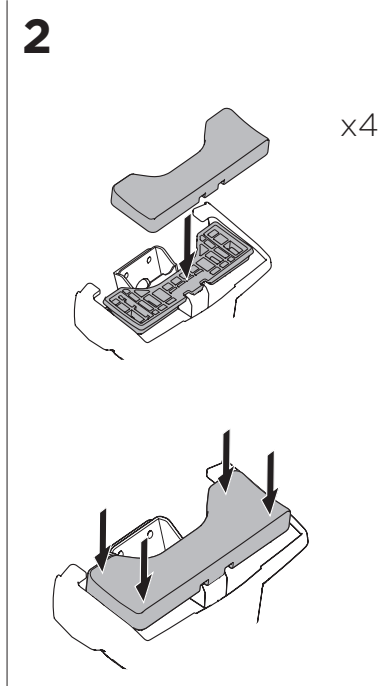
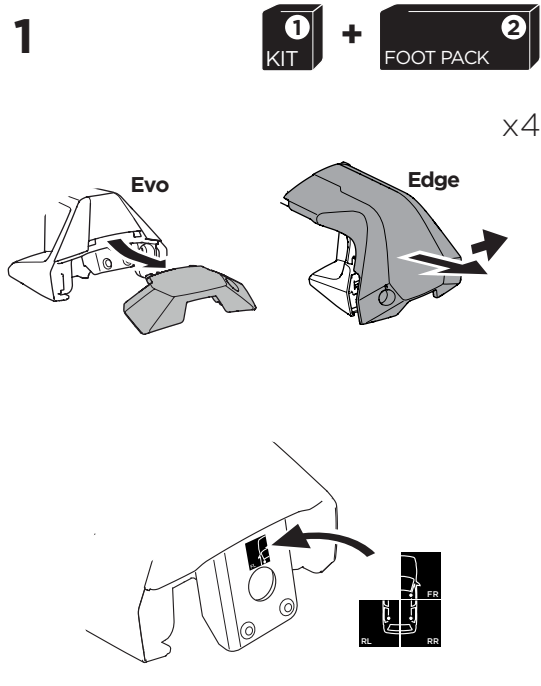
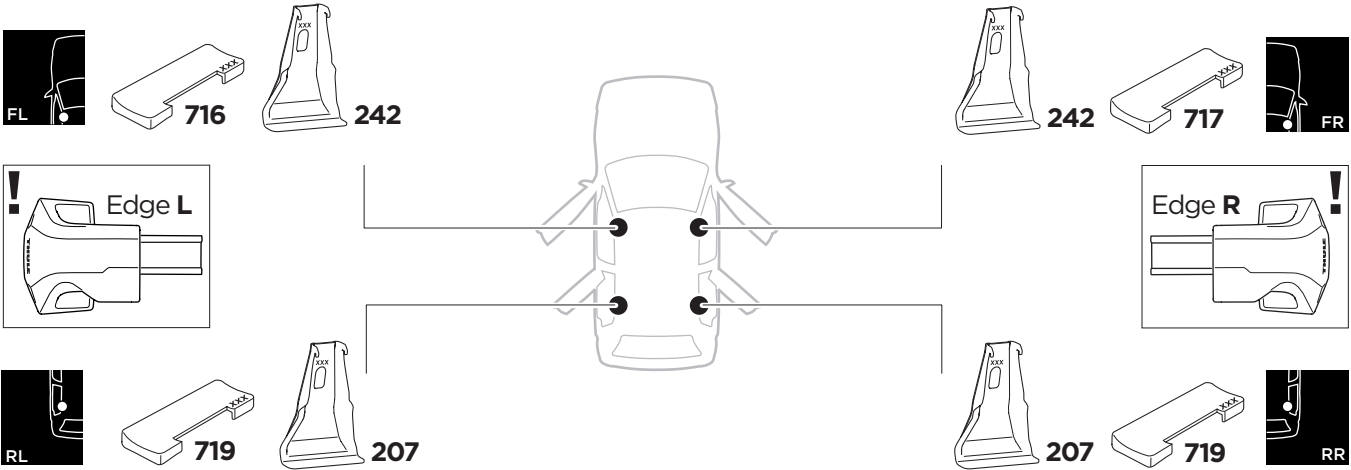
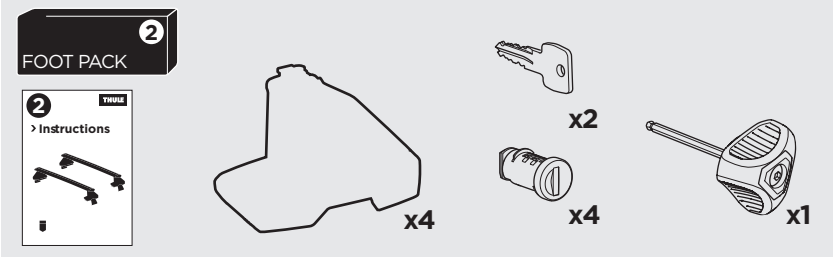
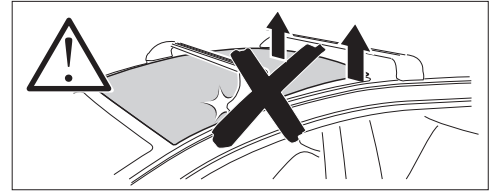
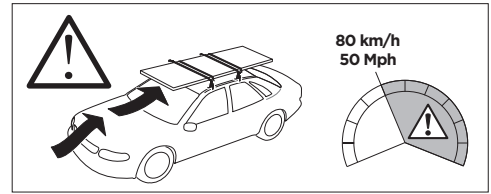
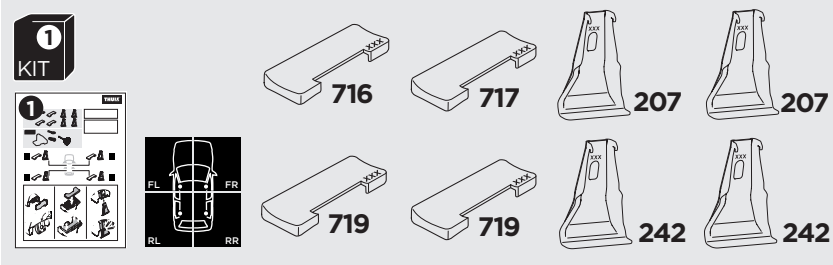
Kit 145235

CHEVROLET Cruze, 4-dr Sedan, 16-19

CHEVROLET Cruze, 5-dr Hatchback, 16-19



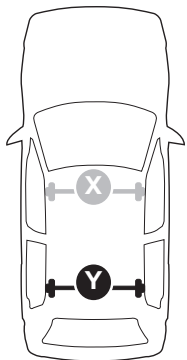
ISO 11154-E





THULE WingBar Evo	THULE WingBar Edge	THULE WingBar	THULE SquareBar	Evo X (scale)	Edge X (scale)
CHEVROLET Cruze, 4-dr Sedan, 16-19				39,0	A
CHEVROLET Cruze, 5-dr Hatchback, 16-19				39,0	A

THULE ProBar	THULE SlideBar	X (mm/inch)
CHEVROLET Cruze, 4-dr Sedan, 16-19		1041 mm / 41"
CHEVROLET Cruze, 5-dr Hatchback, 16-19		1041 mm / 41"



THULE WingBar Evo	THULE WingBar Edge	THULE WingBar	THULE SquareBar	Evo Y (scale)	Edge Y (scale)
CHEVROLET Cruze, 4-dr Sedan, 16-19				36,5	F
CHEVROLET Cruze, 5-dr Hatchback, 16-19				36,5	F

THULE ProBar	THULE SlideBar	Y (mm/inch)
CHEVROLET Cruze, 4-dr Sedan, 16-19		1016 mm / 40"
CHEVROLET Cruze, 5-dr Hatchback, 16-19		1016 mm / 40"

	W (mm/inch)	Z (mm/inch)
CHEVROLET Cruze, 4-dr Sedan, 16-19	680 mm / 26 ³ / ₄ "	250 mm / 9 ⁷ / ₈ "
CHEVROLET Cruze, 5-dr Hatchback, 16-19	680 mm / 26 ³ / ₄ "	250 mm / 9 ⁷ / ₈ "

