

# 1

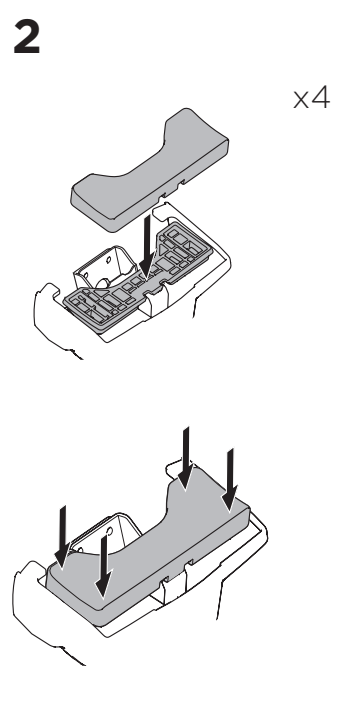
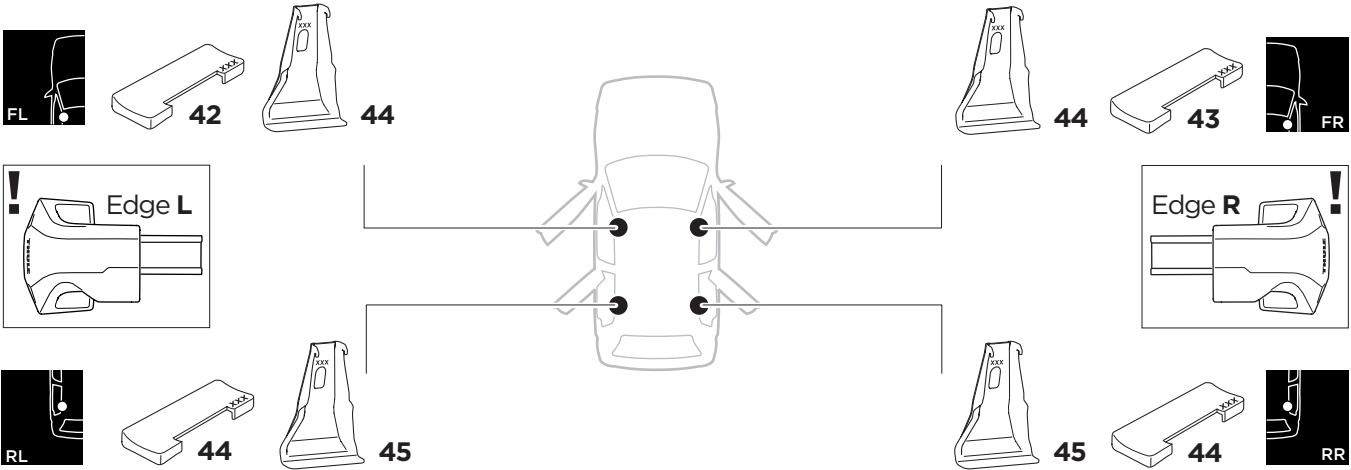
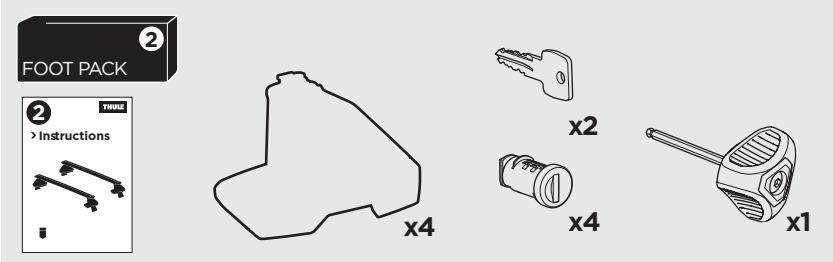
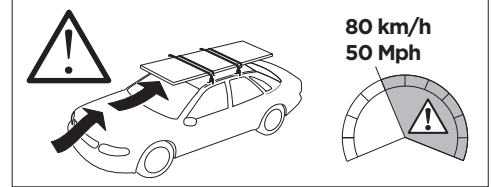
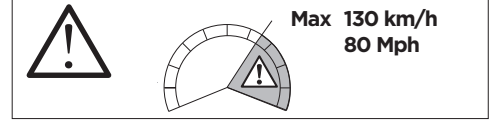
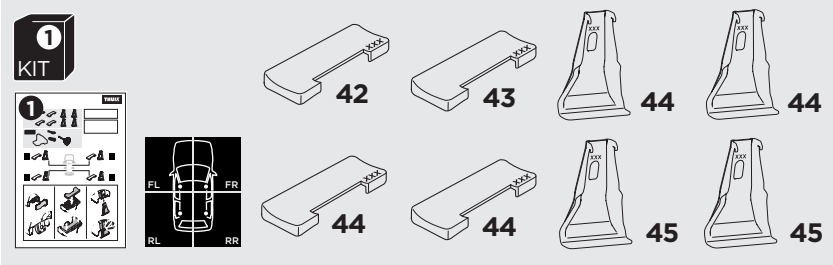
## Kit 145173

FORD S-Max, 5-dr MPV, 06-15\*

\* Without fixpoint and with glassroof



ISO 11154-E





THULE WingBar Evo	THULE WingBar Edge	THULE WingBar	THULE SquareBar Evo	<b>Evo X (scale)</b>	<b>Edge X (scale)</b>
<b>FORD S-Max, 5-dr MPV, 06-15*</b>				<b>56</b>	<b>C</b>

THULE ProBar Evo	THULE SlideBar Evo	<b>X (mm/inch)</b>		
<b>FORD S-Max, 5-dr MPV, 06-15*</b>		<b>1211 mm / 47 5/8"</b>		



THULE WingBar Evo	THULE WingBar Edge	THULE WingBar	THULE SquareBar Evo	<b>Evo Y (scale)</b>	<b>Edge Y (scale)</b>
<b>FORD S-Max, 5-dr MPV, 06-15*</b>				<b>50</b>	<b>O</b>

THULE ProBar Evo	THULE SlideBar Evo	<b>Y (mm/inch)</b>		
<b>FORD S-Max, 5-dr MPV, 06-15*</b>		<b>1151 mm / 45 3/8"</b>		

	<b>W (mm/inch)</b>	<b>Z (mm/inch)</b>
<b>FORD S-Max, 5-dr MPV, 06-15*</b>	<b>800 mm / 31 1/2"</b>	<b>360 mm / 14 1/8"</b>

