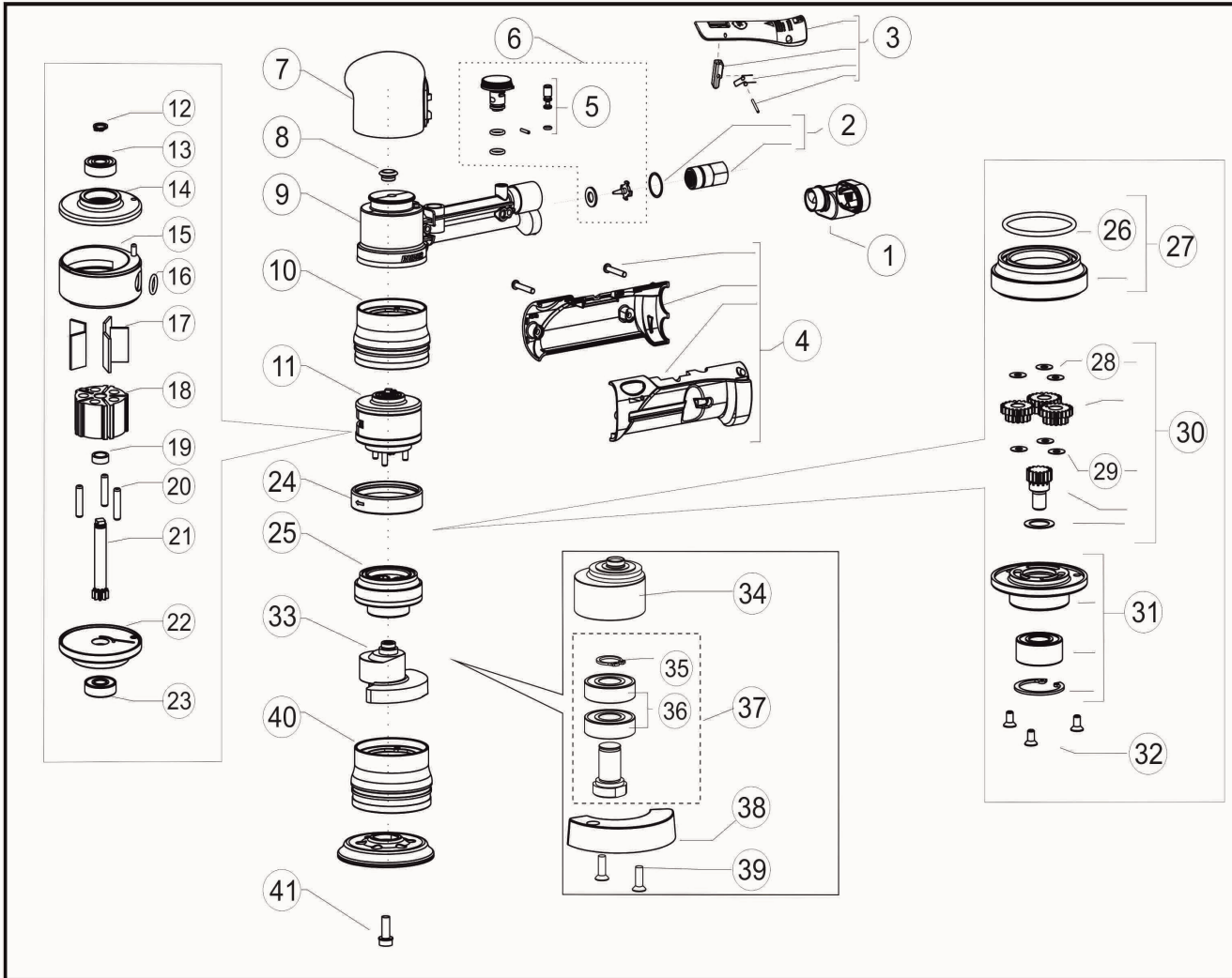


03/2020



RUPES

LUCIDATRICE TRIPLE ACTION
 TRIPLE ACTION POLISHER

LTA75

ID	ITEM	DESCRIPTION
001	19.196/C	SILENCER COMPLETE SET LTA
002	43.330/C	AIR ENTRY CONNECTOR
004	44.197/C	COMPLETE HANDLE+HEXAGONAL SPANNER
005	382.197/C	PIN VALVE LHR75
006	30.344/C	COMPLETE VALVE GROUP LTA
007	381.197/C	VALVE PIN + O-RING
008	9.1816	PLUG PVC BLACK for hole 8mm
012	9.148	SEEGER FOR SHAFT 7mm
013	9.34/10	BEARING SKF 607 ZZ-C3
014	28.364	Upper Motor Head
015	20.340	MOTER CYLINDER
016	9.2001	O-RING 2031
017	18.364/10	Set 10 vanes Skorpio III 1,45 x 11 x 19,92mm
018	10.364	ROTORE ACC. SINTERIZZATO SKORPIO III
020	9.4086	CYLINDER PLUG DIN 6325 4x18
021	51.343	ALBERO MOTORE Z9 H20 LHR75GP
023	9.191	BEARING NSK 607 DDMC3E J NS7 (HOLE D.7-19-6)
025	55.344/C	RING NUT WITH ORING LTA 125
026	9.4055	O-RING 3156 NBR70
027	55.344/C	RING NUT WITH ORING LTA 125
028	9.395	STEEL WASHER d10 x 4,2 s 0,3 material c67
029	9.395	STEEL WASHER d10 x 4,2 s 0,3 material c67
030	53.344/C	COMPLETE GEAR SET LTA 125
031	551.344/C	GEAR HOUSING LTA 125
032	9.624	SCREW M4 x 10 T.C.C. BURNISHED
034	58.345	ECCENTRIC SET LTA75
035	9.120	SEEGER
036	9.76/10	BEARING NSK 629-A-4DDMC3E J PS2SV
037	560.197/C	BALANCER SHAFT GROUP
038	57.197	PRIMARY COUNTERWEIGHT
039	9.6150	SCREW M4 x 12 T.S.P. BURNISHED CI.88
041	9.820	SCREW M6 x 16 UNI 4762 TC RECESS HEXAGONAL